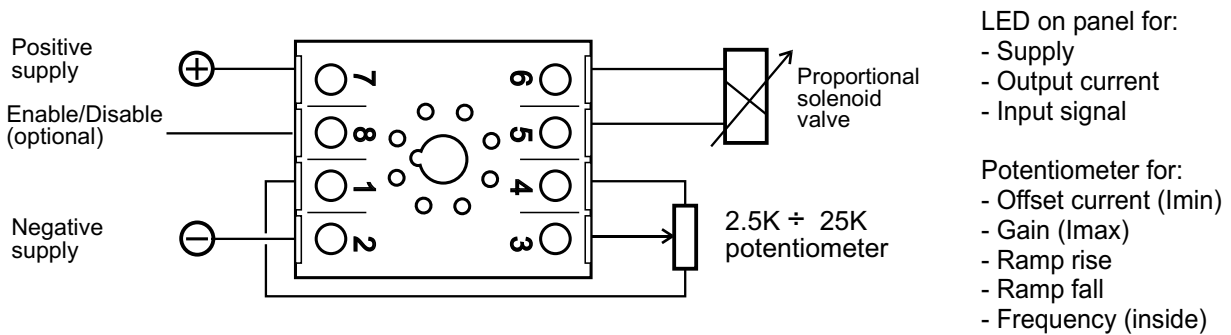
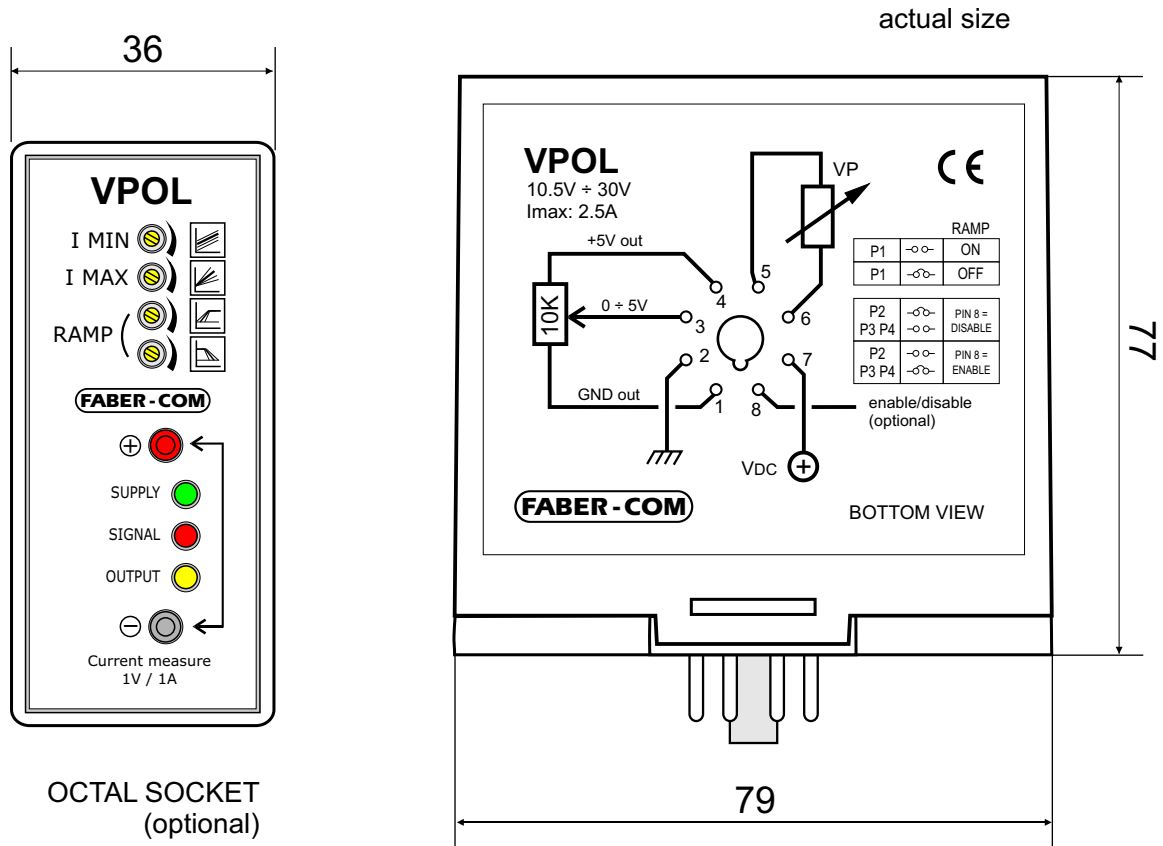


PWM electronic regulator for single solenoid proportional valve



Technical sheet:

Power supply	from 10.5 to 30 Vdc
Reference signal	0÷10V max (optional 0÷20 mA)
Reference input impedance	20 kOhm
Potentiometer supply	4.6 V
Max output current	2,5 A
Ramp range regulation	0.1 - 10 sec (separate rise/fall)
PWM frequency	50 ÷ 250 Hz (preset to 120 Hz)
Room working temperature	-10°C ÷ +60 °C
Indirect current measure (test point on panel)	1V read every 1A output current
Enable/Disable optional input	V _{supply} commanded